

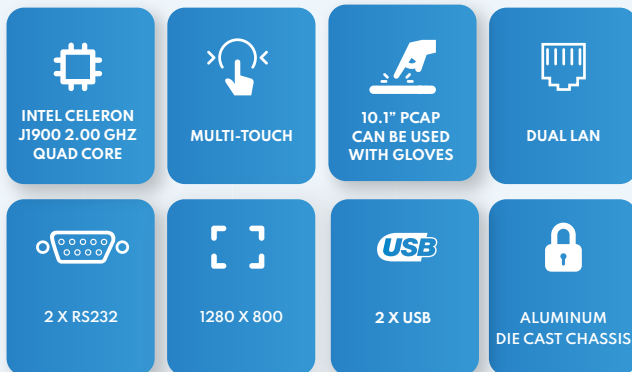
E-LIFE EPC-410

Industrial Panel PC



GENERAL INFORMATION

- Intel Celeron J1900 2.00 GHz Quad Core Processor
- Durable and Stylish Aluminum Die Cast Chassis
- 10.1" IPS LCD with 430 cd/m2 Brightness
- Optical Bonding Technology on Display
- Multi-Touch Projected Capacitive Touch Screen
- Glove Support on PCAP Touch
- 2 x Gigabit Ethernet
- 2 x RS232
- 2 x USB 3.0
- 8 Bit Digital I/O
- Remote Power Switch Connector
- Certified IK08 Level Impact Resistance
- CE Certificate of Conformi



EPC-410 is a cost effective and compact Panel PC for your Industry 4.0, IoT, Automation and Digital Transformation project with its Quad Core Intel Embedded Processor, rich I/O and robust aluminum die casting chassis.

Compact Yet Powerful

EPC-410 is compact member of new E-Life EPC Panel PC family which is developed to support all applications requires a rugged and compact Panel PC. Like all EPC Series Panel PCs, EPC-410 is also developed with our long-term design experience and market feedback since 2004 that we released our first Panel PC as Turkey's first original design Panel PC manufacturer.

Optical Bonding Technology for High Image Quality and Durability

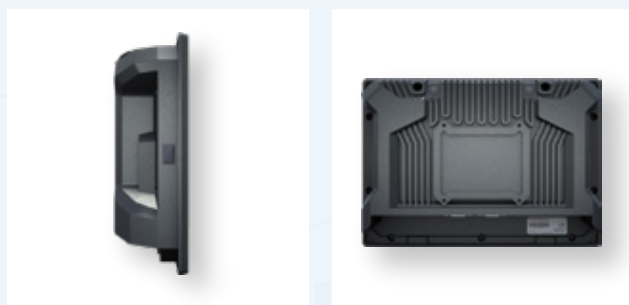
EPC-410 has a special 10.1" LCD Display with Optical Bonding Technology and 430 cd/m2 brightness to ensure smooth user experience with high durability and clear images in all industrial environments. Optical Bonding Technology is a special process of laminating cover glass, touch sensor and LCD with a special optical adhesive which eliminates air gap between touch screen and LCD Panel. Displays with Optical Bonding Technology provides high durability and ruggedness against both impacts and severe environmental conditions like dust, humidity, and liquids as well as high visibility under bright ambient conditions due to eliminated internal reflection between touch screen and LCD. EPC-410 has an Optical Bonded PCAP Touch Screen Display by laminating a specially designed 4 mm PCAP Touch Sensor with a 10.1" IPS LCD Panel. Thus EPC-410 is suitable to be deployed at most severe industrial environments with its 10.1" rugged and high sensitivity touch screen with glove support.

Rich I/O Makes Your Connections Easier

EPC-410 has rich I/O port structure including 1xRS232, 2xGigabit LANs, 2x USB 3.0, Digital I/O and a remote ON/OFF switch to provide easy operation in case device was panel mounted in a housing. All these features make EPC-410 is a flexible and functional Panel PC solution for many industrial applications.

Easy Integration with Flexible Mounting Options

Besides of all enhanced design and technical features, EPC-410 provides flexible mounting and stand options to support different applications at field. EPC-410 has special panel mount fixtures and a silicon gasket around front frame to provide a secure panel mount on customized chassis and housings. In addition, EPC-410 has optional desktop and floor stands and a wall mount bracket provide easy integration in any location.



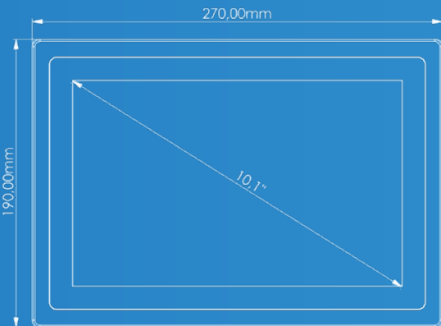
Technical Specifications



E-LIFE EPC-410

Industrial
Panel PC

| | | |
|---|--|---|
| Processor Intel® Celeron J1900 Quad Core 2.00 GHz, 2 MB Cache | RAM Standard 4 GB DDR3L 1333 MHz (Maks. 8GB) | SSD Standard 64 GB mSATA SSD 128 GB - 1TB mSATA SSD SATAIII Options |
| Display 10.1" IPS LCD - Optical Bonding Technology | Resolution 1280 x 800 | Brightness 430 cd/m2 |
| Contrast 800:1 | LCD Viewing Angle (H/V) 170°/170° | Touch Screen Projected Capacitive, 5-Points Multi-Touch, Glove Support* |
| Serial Ports 2 x RS232 (Optional 4 x RS232 with DIO Port Replacement) | USB 2 x USB 3.0 | LAN 2 x Realtek RTL8111F Gigabit Ethernet |
| Digital I/O 4 IN, 4 OUT Digital I/O, RJ48 | Display Output VGA + HDMI | Graphics Card Intel® HD Graphics |
| Audio On board ALC662 High Definition Audio | Wi-Fi Optional, IEEE 802.11b/g/n, 5 dBi Wi-Fi Antenna | Expansion Slot 1 x Mini-PCIe |
| PC Power Supply 12V / 5A DC Adaptor | Power Input 12V DC | Chassis Aluminum Die Cast |
| Mounting Options VESA 75x75 Optional Panel Mount Kit Optional Desktop and Kiosk Type Stands Optional Wall Mount Kit | Operating Temperature 0 ~ 50 °C | Dimensions 270 x 190 x 59 mm |
| Weight 1,95 Kg. | Certificates CE, IK08 | Operating Systems Support Windows 10 IoT / Windows 10 Pro |



NOYA

**NOYA DİJİTAL DÖNÜŞÜM
TEKNOLOJİLERİ A.Ş**

Hamidiye Mah. Soğuksu Caddesi
No:5 Kat:8 34408 Kağıthane /
İstanbul / Türkiye

0212 294 24 03
 0850 399 66 92

info@noyatech.com
www.noyatech.com