

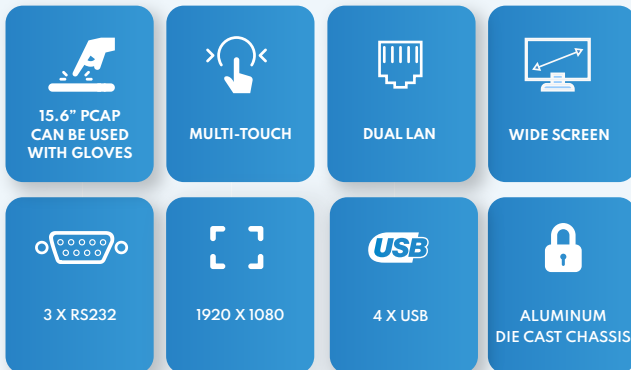
E-LIFE EPC-616

Industrial Panel PC



GENERAL INFORMATION

- Intel Celeron J1900 2.00 GHz Quad Core Processor
- Durable and Functional Aluminum Chassis
- 15.6" IPS LCD with 40t0 cd/m2 Brightness
- Multi-Touch Projected Capacitive Touch Screen
- Glove Support on PCAP Touch
- 2 x Gigabit Ethernet
- 3 x RS232
- 2 x USB 2.0 and 2 x USB 3.0
- Remote Power Switch Connector
- CE Certificate of Conformity



EPC-616 is a cost effective and reliable industrial wide screen Panel PC solution which is demanding Full HD resolution in a compact design for Industry 4.0, IoT, Automation and Digital Transformation projects. E-Life EPC-616 is dedicated to providing non-stop operation at industrial environments with its Quad Core Intel Embedded Processor, rich I/O and robust aluminum chassis

Wide Screen Comfort and Efficiency for Your Industrial Applications

E-Life EPC-616 has a wide screen LCD display with 1920x1080 Full HD resolution which give more space for your software to contain much more data on display. This will provide a better user experience at field and increase efficiency of your application.

Durable Multi-Touch PCAP with Glove Support

EPC-616 has 15.6" LCD Full HD Display with 400 cd/m2 brightness to ensure smooth user experience in all industrial environment as well as its specially designed Projected Capacitive Touch Sensor with 4 mm total thickness to provide durability and sensitivity during operation. EPC-616's Projected Capacitive sensor provides glove support to ensure seamless touch screen experience at all environments.

Stylish and Rugged Aluminum Chassis

E-Life EPC-616 has a unique aluminum extrusion chassis with a stylish design and rugged structure. This ensures EPC-616 will work on harsh industrial environments without any interruption.

Rich I/O and Enhanced Connectivity

E-Life EPC-616 has rich I/O port structure including 3xRS232, 2xGigabit LANs, 2xUSB 2.0, 2x USB 3.0 and a remote ON/OFF switch connector to provide easy operation in case device was panel mounted in a housing. All these features make EPC-616 is a flexible and functional Panel PC solution for many industrial applications.

Easy Integration with Flexible Mounting Options

Besides of all enhanced design and technical features, EPC-616 provides flexible mounting and stand options to support different applications at field. EPC-616 has special panel mount fixtures and a silicon gasket around front frame to provide a secure panel mount on customized chassis and housings. In addition, EPC-616 has optional desktop and floor stands and a wall mount bracket provide easy integration in any location.



Technical Specifications

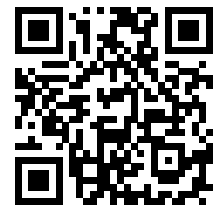
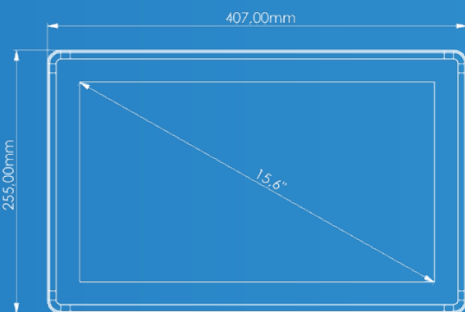


E-LIFE EPC-616

Industrial
Panel PC



Processor Intel® Celeron J1900 Quad Core 2.00 GHz, 2 MB Cache	RAM Standard 4 GB DDR3L 1333 MHz (Maks. 8GB)	SSD Standard 64 GB mSATA SSD 128 GB - 1 TB mSATA SSD SATAIII Options
Display 15.6" TFT LCD	Resolution 1920 x 1080	Brightness 400 cd/m2
Contrast 1000:1	LCD Viewing Angle (H/V) 160° / 140°	Touch Screen Projected Capacitive, 5-Points Multi-Touch, GloveSupport*
Serial Ports 3 x RS232	USB 2 x USB 2.0 2 x USB 3.0	LAN 2 x Realtek RTL8111F Gigabit Ethernet
Display Output VGA + HDMI	Graphics Card Intel® HD Graphics	Audio On board ALC662 High Definition Audio
Wi-Fi Optional, IEEE 802.11 b/g/n, 5 dBi Wi-Fi Antenna	Expansion Slot 1 x Mini-PCIe	PC Power Supply 12V / 5A DC Adaptor
Power Input 12V DC	Chassis Extruded Aluminum	Mounting Options VESA 100 x 100 Optional Panel Mount Kit Optional Desktop and Kiosk Type Stands Optional Wall Mount Kit
Operating Temperature 0 ~ 60 °C	Dimensions 407 x 255 x 53 mm	Weight 4,45 Kg.
Operating Systems Support Windows 10 IoT / Windows 10 Pro		



NOYA

**NOYA DİJİTAL DÖNÜŞÜM
TEKNOLOJİLERİ A.Ş.**

Hamidiye Mah. Soğuksu Caddesi
No:5 Kat:8 34408 Kağıthane /
İstanbul / Türkiye

0212 294 24 03
 0850 399 66 92

info@noyatech.com
www.noyatech.com