

E-LIFE EPC-415 G2

Industrial Panel PC



GENERAL INFORMATION

- Intel Celeron J6412 2.00 GHz Quad Core Processor
- Durable and Stylish Aluminum Die Cast Chassis
- 15" Industrial Grade LCD with 350 cd/m2 Brightness
- Multi-Touch Projected Capacitive Touch Screen
- Glove Support on PCAP Touch
- 2 x Gigabit Ethernet
- 3 x RS232 and 1 x RS485
- 8 Bit Digital I/O
- 4 x USB 3.2 and 2 x USB 2.0
- Remote Power Switch Connector
- CE Certificate of Conformity



EPC-415 G2 is a cost effective and reliable hardware solution for your Industry 4.0, IoT, Automation and Digital Transformation project with its Quad Core Intel Embedded Processor, rich I/O and robust aluminum die casting chassis.

E-Life EPC-415 G2 Newest Generation Industrial Panel PC is ready to join your projects

Generation 2 of first member of our E-Life EPC Series, EPC-415 G2 Panel PC, is upgraded version of our first model which developed with long-term design experience and market feedback since 2004 that we released our first Panel PC as Turkey's first original design Panel PC manufacturer.

New E-Life EPC-415 G2 is offering high performance Celeron J6142 Quad-Core processor, 15" Projected Capacitive (PCAP) Touch Screen and rich I/O ports in a robust but stylish aluminum die cast chassis.

Higher Performance with New Generation Processor

Combining the advantages of newest generation Intel Celeron J6412 Quad Core processor and DDR4 3200MHz memory technology up to maximum 32GB memory, new EPC-415 G2 offers much higher performance for all applications.

Rich I/O Makes Your Connections Easier

EPC-415 G2 has rich I/O port structure including 4 x RS232, 4 x USB 3.2, 2 x USB 2.0, 1 x RS485 and 1 x GPIO to provide easy operation in case device was panel mounted in a housing. All these features make EPC-415 G2 is a flexible and functional Panel PC solution for many applications.

Easy Integration with Flexible Mounting Options

Besides of all enhanced design and technical features, EPC-415 G2 provides flexible mounting and stand options to support different applications at field. EPC-415 G2 has special panel mount fixtures and a silicon gasket around front frame to provide a secure panel mount on customized chassis and housings. In addition, EPC-415 G2 has optional desktop and floor stands and a wall mount bracket provide easy integration in any location.



Technical Specifications

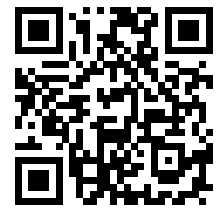
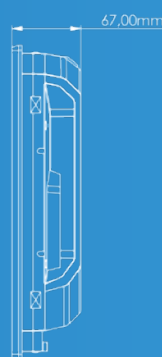
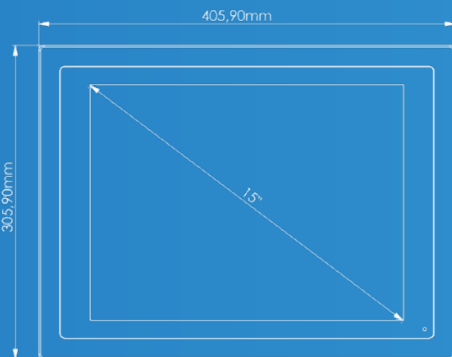


E-LIFE EPC-415 G2

Industrial
Panel PC



Processor Intel® Celeron J6412 Quad Core 2.00 GHz, 1,5 MB Cache	RAM Standard 4 GB DDR4 3200 MHz (Maks. 32GB)	SSD Standard 64 GB M.2 SATAIII SSD 128 GB – 1 TB M.2 SSD SATAIII Options
Display 15" TFT LCD	Resolution 1024 x 768	Brightness 350 cd/m2
Contrast 1000:1	LCD Viewing Angle (H/V) 178° /178°	Touch Screen Projected Capacitive, 5-Points Multi-Touch, Glove Support*
Serial Ports 4 x RS232 1 x RS485	USB 4 x USB 3.2 2 x USB 2.0	LAN 2 x Realtek RTL8111H Gigabit Ethernet
Digital I/O 4 IN, 4 OUT Digital I/O, RJ48	Display Output HDMI + DPI	Graphics Card Intel® 10th Generation Processor UHD Graphics
Audio On board ALC662 High Definition Audio	Wi-Fi Optional, IEEE 802.11 b/g/n, 5 dBi Wi-Fi Antenna	Expansion Slot 1 x M.2
PC Power Supply 12V / 5A DC Adaptor	Power Input 12V DC	Chassis Aluminum Die Cast
Mounting Options VESA 100 x 100 Optional Panel Mount Kit Optional Desktop and Kiosk Type Stands Optional Wall Mount Kit	Operating Temperature 0 ~ 60 °C	Dimensions 405,9 x 305,9 x 67 mm
Weight 5,15 Kg.	Operating Systems Support Windows 10 Pro, Windows 10 IoT, Windows 11	



NOYA

**NOYA DİJİTAL DÖNÜŞÜM
TEKNOLOJİLERİ A.Ş**

Hamidiye Mah. Soğuksu Caddesi
No:5 Kat:8 34408 Kağıthane /
İstanbul / Türkiye

0212 294 24 03
 0850 399 66 92

info@noyatech.com
www.noyatech.com