

E-LIFE EPC-716

Industrial Panel PC



GENERAL INFORMATION

- Intel Core Mobile i3-8145U and i5-8265U Processor Options
- Durable and Functional Aluminum Chassis
- 15.6" IPS LCD with 400 cd/m2 Brightness
- 1920 x 1080 Full HD Resolution
- Multi-Touch Projected Capacitive Touch Screen
- Glove Support on PCAP Touch
- 2 x Intel i211 Gigabit Ethernet
- 1 x RS232/RS485, 3 x RS232
- 2 x USB 2.0 and 4 x USB 3.0
- 12V DC Input
- Remote Power Switch Connector
- CE Certificate of Conformity



The new E-Life EPC-716 is a reliable wide-screen industrial Panel PC solution which is demanding high processor performance and Full HD resolution in a compact design. E-Life EPC-716 is dedicated to providing non-stop operation in industrial environments with its 8th Generation Intel Core Mobile Processor options, rich I/O, and robust aluminum chassis in for Industry 4.0, IoT, Automation, and Digital Transformation projects.

High Performance with 8th Generation Intel Mobile Core Processor

Combining the advantages of the 8th Generation Intel Core Mobile Processor and DDR4 2400MHz memory technology, the new EPC-716 offers high performance for all applications.

Wide Screen Comfort and Efficiency for Your Industrial Applications

The new E-Life EPC-716 has a wide-screen LCD display with 1920x1080 Full HD resolution which gives more space for your software to contain much more data on display. This will provide a better user experience in the field and increase the efficiency of your application.

Durable Multi-Touch PCAP with Glove Support

EPC-716 has a 15.6" LCD Full HD Display with 400 cd/m2 brightness to ensure a smooth user experience in all industrial environments as well as its specially designed Projected Capacitive Touch Sensor with 4 mm total thickness to provide durability and sensitivity during operation. The Projected Capacitive sensor on EPC-716 has a glove support feature to ensure a seamless and safe touchscreen experience in all environments.

Stylish and Rugged Aluminum Chassis

E-Life EPC-716 has a unique aluminum extrusion chassis with a stylish design and rugged structure. This ensures EPC-716 will work in harsh industrial environments without any interruption.

Rich I/O and Enhanced Connectivity

E-Life EPC-716 G2 has a rich I/O port structure including 1xRS232/RS485, 3xRS232, 2xGigabit LANs, 2xUSB 2.0, 4x USB 3.0, and a remote ON/OFF switch connector to provide easy operation in case the device was panel mounted in a housing. In addition to all these features, the 9~36V Wide Range DC power input of EPC-716 G2 makes it a flexible and functional Panel PC solution for many industrial applications.

Easy Integration with Flexible Mounting Options

Besides all the enhanced design and technical features, EPC-716 provides flexible mounting and stand options to support different applications in the field. EPC-716 has special panel mount fixtures and a silicon gasket around the front frame to provide a secure panel mount on customized chassis and housings. In addition, EPC-716 has optional desktop and floor stands and a wall mount bracket to provide easy integration in any location.



Technical Specifications

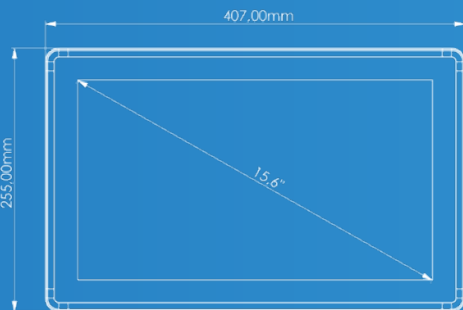


E-LIFE EPC-716

Industrial
Panel PC



- Processor**
Intel® Core™ i3-8145U,
2.10 GHz, 4 MB Smart Cache
Intel® Turbo Boost Technology
2.0 ile maks 3,90 GHz
Intel® Core™ i5-8265U,
1.60 GHz, 6 MB Smart Cache
Intel® Turbo Boost Technology
2.0 ile maks 3,90 GHz
- RAM**
Standard 4 GB DDR3L 1333
MHz (Maks. 8GB)
- SSD**
Standard 64 GB mSATA SSD
128 GB – 1 TB mSATA SSD
SATAIII Options
- Display**
15.6" TFT LCD
- Resolution**
1920 x 1080
- Brightness**
400 cd/m2
- Contrast**
1000:1
- LCD Viewing Angle (H/V)**
160°/140°
- Touch Screen**
Projected Capacitive,
5-Points Multi-Touch,
GloveSupport*
- Serial Ports**
1 x RS232/485
3 x RS232
- USB**
2 x USB 2.0
4 x USB 3.0
- LAN**
2 x Intel i211 Gigabit Ethernet
- Display Output**
2 x HDMI
- Graphics Card**
Intel® HD 620 Graphics
- Audio**
On board ALC662
High Definition Audio
- Wi-Fi**
Optional, IEEE 802.11 b/g/n
with 2dBi Wi-Fi Antenna
- Expansion Slot**
1 x M.2
- PC Power Supply**
12V / 5A DC Adaptor
- Power Input**
12V DC
- Chassis**
Extruded Aluminum
- Mounting Options**
VESA 100 x 100
Optional Panel Mount Kit
Optional Desktop and Kiosk
Type Stands Optional Wall Mount Kit
- Operating Temperature**
0 ~ 60 °C
- Dimensions**
407 x 255 x 53 mm
- Weight**
5 Kg.
- Operating Systems Support**
Windows 10 Pro, Windows 10 IoT, Windows 11



NOYA

**NOYA DİJİTAL DÖNÜŞÜM
TEKNOLOJİLERİ A.Ş.**

Hamidiye Mah. Soğuksu Caddesi
No:5 Kat:8 34408 Kağıthane /
İstanbul / Türkiye

☎ **0212 294 24 03**
☎ **0850 399 66 92**

info@noyatech.com
www.noyatech.com