

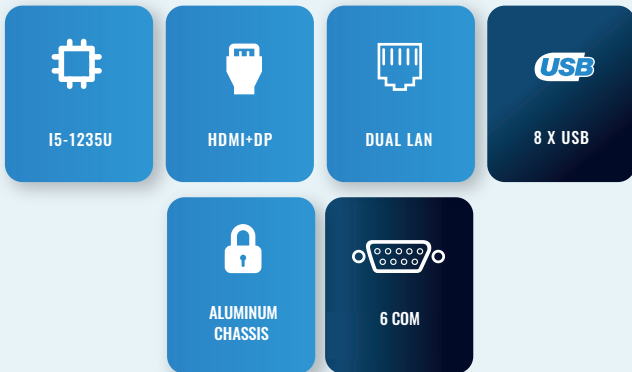
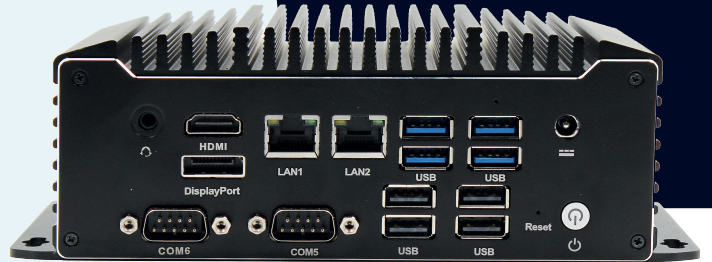
E-Life Inno-Box G3 1235U

Rugged Box Pc



GENERAL INFORMATION

- Intel Core i5-1235U 12th Gen Mobile Processor
- 8GB DDR4 3200 MHz Memory
- 128 GB M.2 SATAIII SSD
- 2 x Gigabit Ethernet Ports
- 2 x HDMI Display Outputs
- 4 x RS232, 2 x RS232/485
- 4 x USB 3.2, 4 x USB 2.0
- Rugged Fanless Aluminum Chassis
- Cable-Free Internal Design
- CE Certified
- 3-Year Warranty



Next-Generation Performance: Inno-Box G3 1235U – Power and Durability in a Compact Design

The new Inno-Box G3 1235U is powered by Intel's energy-efficient and powerful 12th Gen i5-1235U processor. With its compact structure, rugged aluminum chassis, and cable-free internal design, it offers an ideal solution for demanding industrial environments that require uninterrupted operation and high performance.

The new E-Life Inno-Box G3 1235U Rugged Box PC, with its cable-free internal design, boasts a highly compact body compared to its competitors, offering rich connectivity options, superior processor performance, and durability, placing it far ahead of the competition. The cable-free internal connections and fanless aluminum body ensure uninterrupted operation even in the most challenging industrial environments.

High Performance and Efficiency with Intel i5-1235U

The Intel i5-1235U processor, with its 10-core structure and 12 threads, delivers superior performance even in the most demanding industrial applications. With Turbo Boost speeds of up to 4.40 GHz, it provides a seamless experience for multitasking and data-intensive applications. Additionally, its low power consumption enhances energy efficiency, reducing operational costs.





Technical Specifications



CPU
Intel® Core™ i5-1235U
10 Core Processor
Maximum 4.40 GHz,
12MB Intel® Smart Cache,
Integrated IPU



RAM
8GB DDR4 2400 MHz
SODIMM (Maks. 64 GB)



SSD
128 GB M.2 PCIe x2 Gen3,
NVMe SSD (256GB-2 TB M.2 PCIe
x2 Gen3, NVMe SSD Options)



Serial Port
- COM1-COM2: RS232/485
(selected via BIOS settings)
- COM3-COM6: RS232
(COM5 and COM6 support 2-wire
serial communication)



USB
4 x USB 3.2, 4 x USB 2.0



LAN
1 x Intel i210 ve 1 x Intel i219
Gigabit Ethernet, Wake on LAN



Dijital I/O
8 Bit, 4 Input/4 Output



Display Output
2 x HDMI



Graphics Card
Intel® Iris® Xe Graphics



Sound Card
Onboard Realtek
High-Definition Audio



Wi-Fi
Optional Intel Dual-Band Wi-Fi + BT
- IEEE 802.11abgn, 802.11ac, 802.11d,
802.11e, 802.11i, 802.11h, 802.11w
- Dual Mode Bluetooth® 4.2 (BLE)



Expansion Slot
1 x M.2 Key E (Wi-Fi/4G)
2 x 2.5" SATA SSD



Power Adapter
12V 5A AC/DC Adapter



Power Input
9~35V DC



PC Case
Aluminum Body, Fanless
Architecture, Wireless Internal
Design



Operating Temperature
0 ~ 60 °C



Dimensions
205x125x70.5 mm



Weight
1,5 Kg.



Supported Operating System
Windows 10/11 IoT, Linux



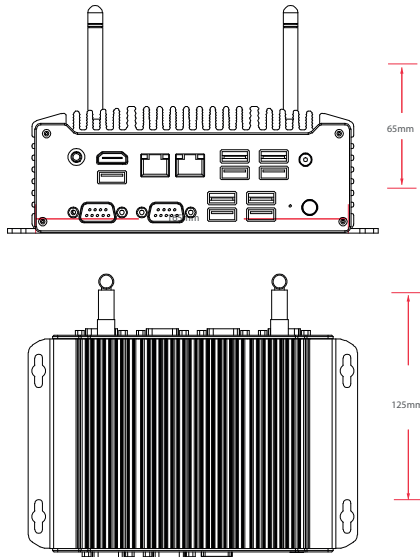
Certifications
CE



Warranty
3 Years

E-LIFE Inno-Box G3 1235U

Rugged Box PC



NOYA

NOYA DİJİTAL DÖNÜŞÜM TEKNOLOJİLERİ A.Ş.
Hamidiye Mah. Soğuksu Caddesi
No:5 Kat:8 34408 Kağıthane /
İstanbul / Türkiye

☎ 0850 399 66 92

info@noyatech.com
www.noyatech.com